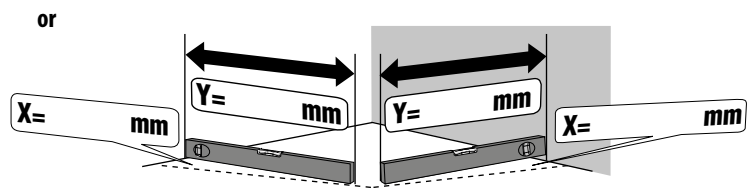
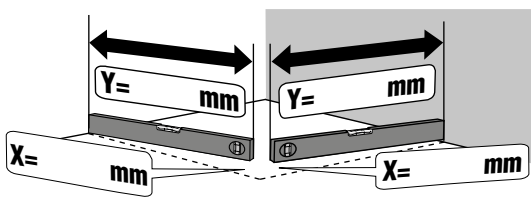
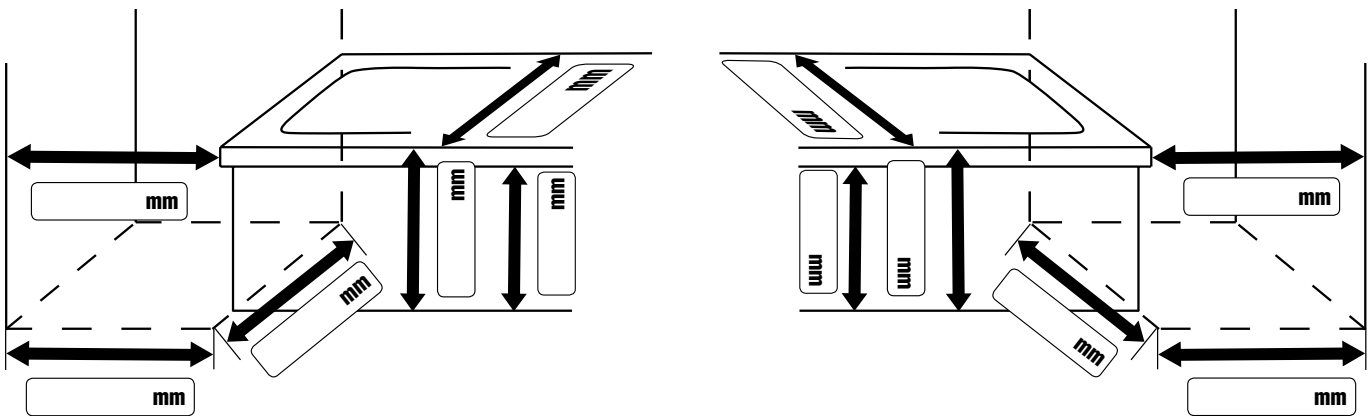


(Shower tray and bathtub not flush)

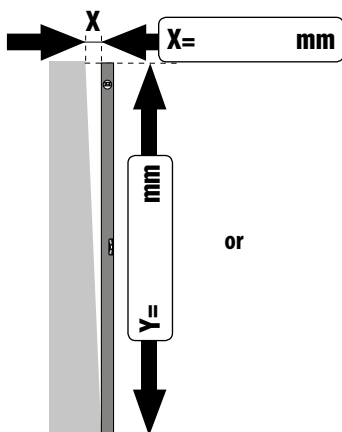
Measured and advised by	End customer	Customer address/company stamp

base price		surcharge			
Art. Nr.	Frame colour	glass	Artclear glass (optionally)	Handle/Towel holder	Attachment to the wall (only frameless)

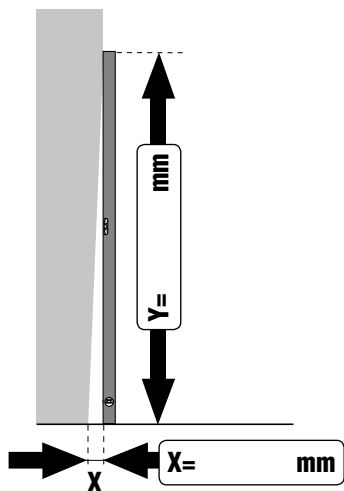
<input type="checkbox"/> Assembly on tiled floor. (State measurement to outer edge of glass)	Product height in mm.....
<input type="checkbox"/> Assembly on shower tray. (Shower tray installation measurement)	Height of wall tiles in mm .....



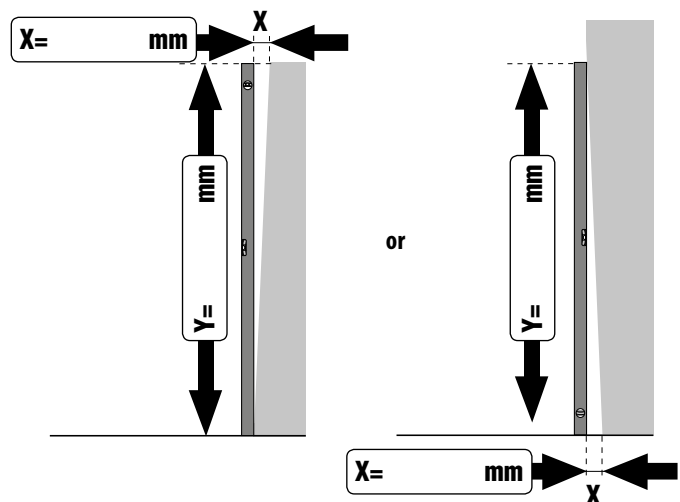
Y = length of level rod



or



or



Serie:	Type:	Glass:
<input type="checkbox"/> ARTWEGER 360 <input type="checkbox"/> Twistline <input type="checkbox"/> Lifeline <input type="checkbox"/> Baseline	<input type="checkbox"/> Door with swinging side screen	<input type="checkbox"/> EK (genuine glass) <input type="checkbox"/> SA (Satin) <input type="checkbox"/> RS (horizontal strip 1 satin acc. Sketch) <input type="checkbox"/> RW (horizontal strip 2 satin acc. Sketch) <input type="checkbox"/> ARTCLEAR-Glass

doormontage to :	doors:	installation:	doorsystem:
<input type="checkbox"/> wall <input type="checkbox"/> fixed part	<input type="checkbox"/> one	<input type="checkbox"/> left <input type="checkbox"/> right	<input type="checkbox"/> winged <input type="checkbox"/> swinging <input type="checkbox"/> sliding <input type="checkbox"/> folding

fixed parts:	colour:	handle:
<input type="checkbox"/> one <input type="checkbox"/> two <input type="checkbox"/> no	profil:..... trim:.....	handle-type:.....

connection to wall:		
<b>frameless (brackets)</b> <input type="checkbox"/> on the inner side <input type="checkbox"/> on the outer side  	<input type="checkbox"/> partially framed	<input type="checkbox"/> framed (sliding door)

NOTES:	<input type="checkbox"/> horizontal strip satin
	