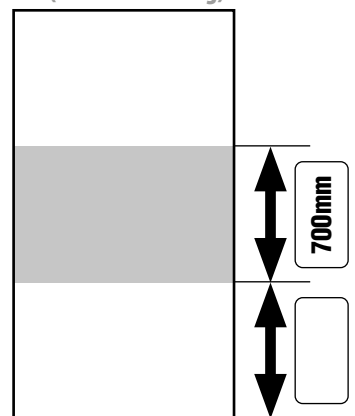
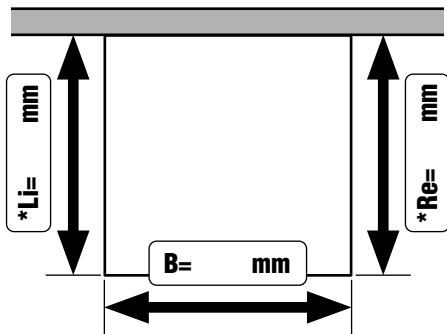


Measured and advised by	End customer	Customer address/company stamp

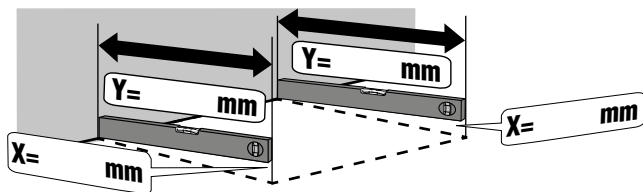
base price		surcharge			
Art. Nr.	Frame colour	glass	glass finishing (optionally)	Handle/ Towel holder	Attachment to the wall (only frameless)

<input type="checkbox"/> Assembly on tiled floor. (State measurement to outer edge of glass)	Product height in mm.....
<input type="checkbox"/> Assembly on shower tray. (Shower tray installation measurement)	Height of wall tiles in mm

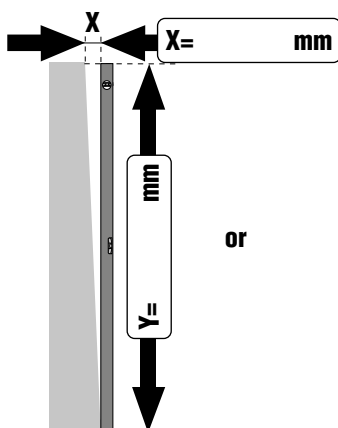
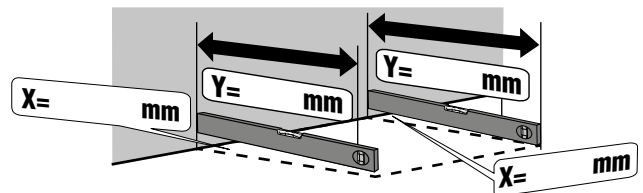
HORIZONTAL STRIP SATIN (not for rounding)



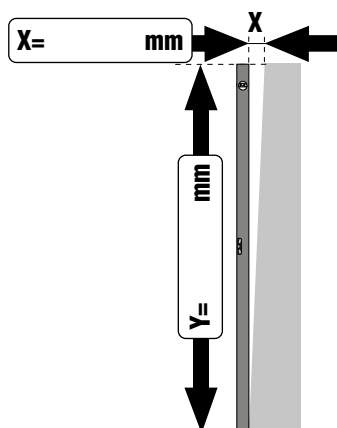
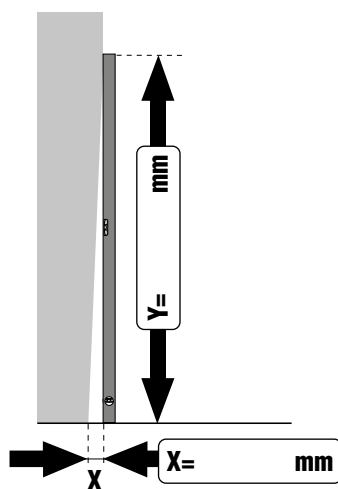
*Stabilizer is included in length 1200 mm, It has to be cutted on-site. Inform us only when overlength!



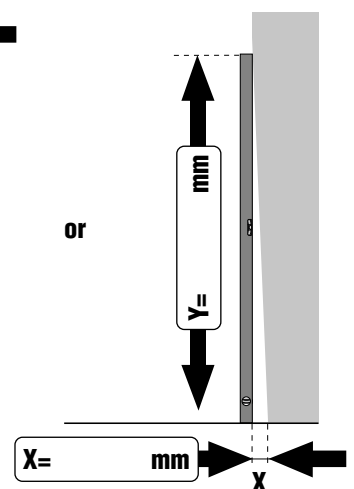
or

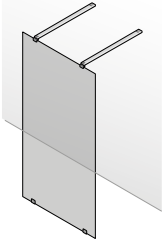
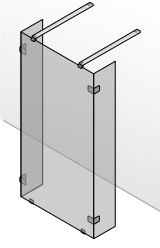
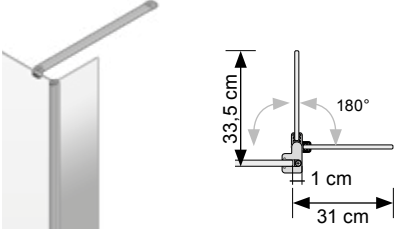


or





or



Type:		
		
<input type="checkbox"/> frameless	<input type="checkbox"/> frameless	<input type="checkbox"/> Pivoting splashguard

colour:	glass:
trim:.....	<input type="checkbox"/> EK (genuine glass)
profil:.....	<input type="checkbox"/> SA (Satin), (nicht für Rundung)
	<input type="checkbox"/> RS (horizontal strip 1 satin acc. Sketch)
	<input type="checkbox"/> RW (horizontal strip 2 satin acc. Sketch)
	<input type="checkbox"/> ARTCLEAR-Glass

Equipment of the Walk In	
Bottom area	
<input type="checkbox"/>	<input type="checkbox"/>
Adjustable foot	With edge protector of transparent plastic.
	

NOTES: