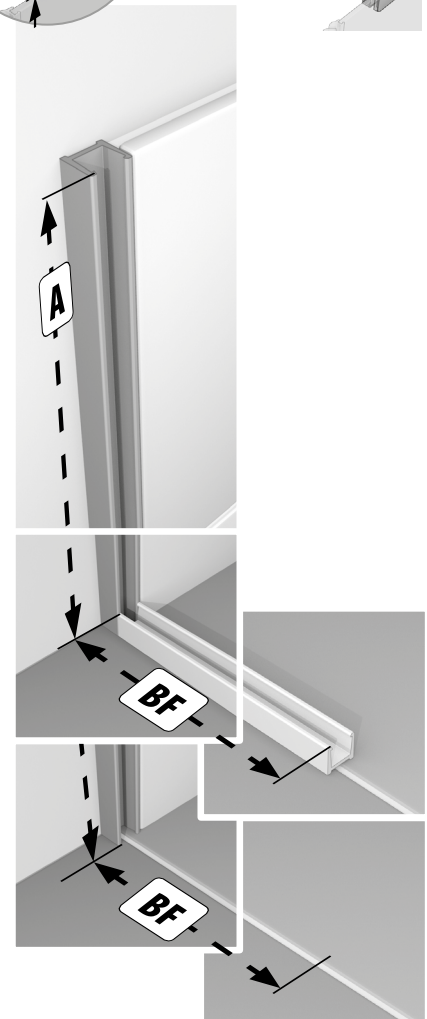
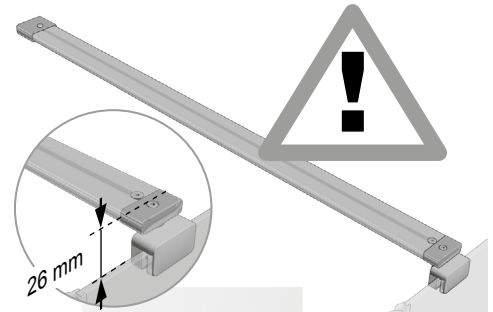
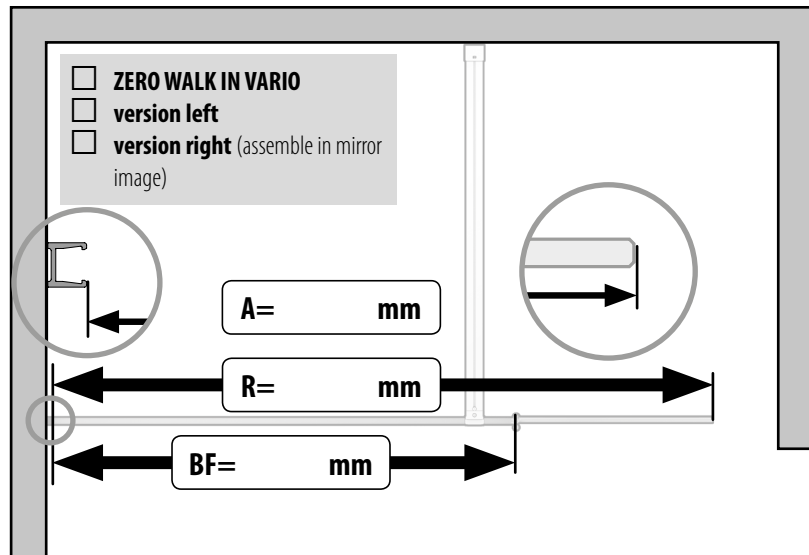
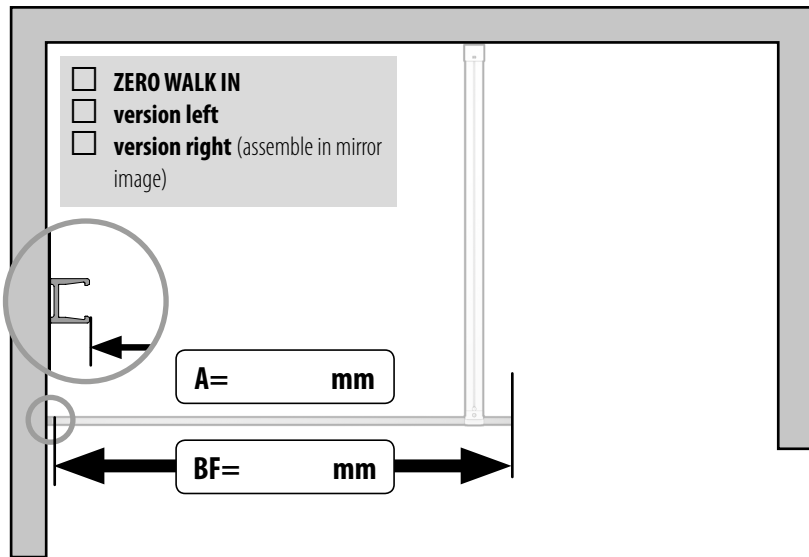


Measured and advised by	End customer	Customer address/company stamp

installation situation		base price		surcharge	
1, 2, 3, 4, 5	A, B, C	Art. Nr.	colour	glass	glass finishing (optionally)
<input type="checkbox"/>	<input type="checkbox"/>	<b>RW . . . .</b>	<input type="checkbox"/>	<input type="checkbox"/>	<input type="checkbox"/>



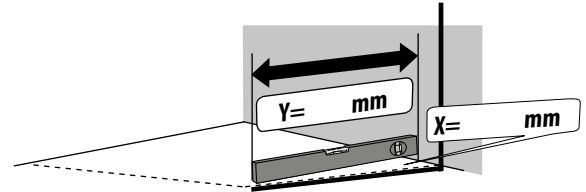
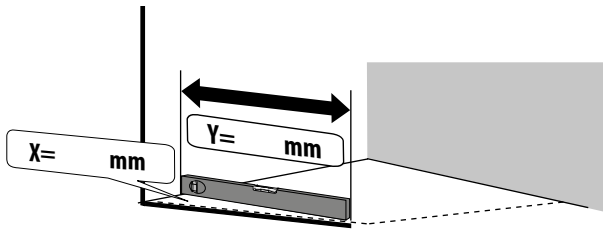
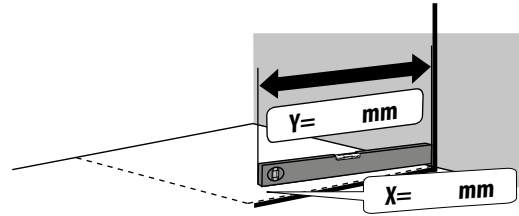
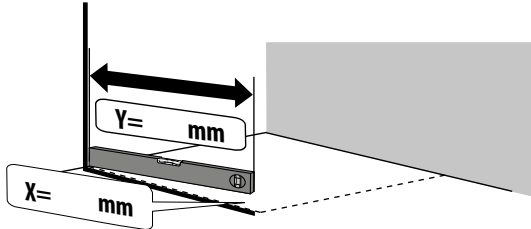
Measurement / measured

**Wall profile**

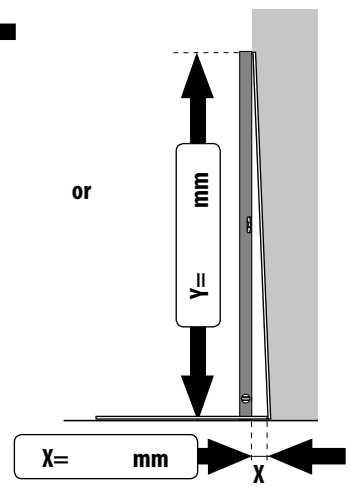
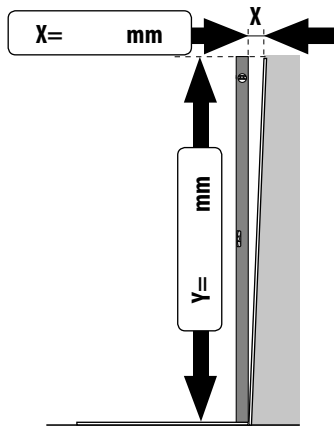
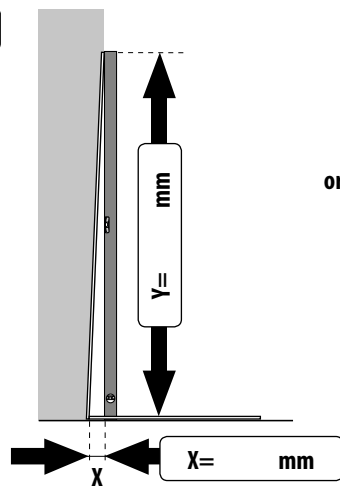
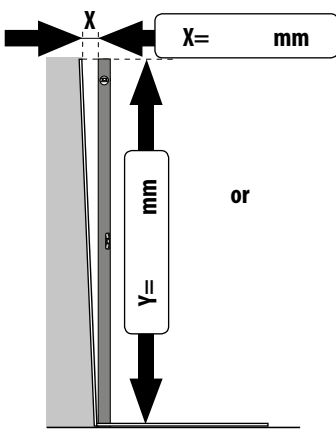
**Height (A):** Floor to top edge of wall profile.  
**Width (BF):** Front edge wall profile to the chosen position of the glass element.

**Wall-and floor profile**

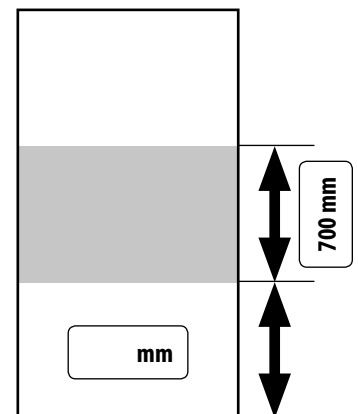
**Height (A):** Upper edge of floor profile to upper edge of wall profile.  
**Width (BF):** Front edge wall profile to the end of floor profile (without end cap).



Y = length of level rod



**HORIZONTAL STRIP SATIN**



NOTES: