

## Important information for measuring:

### a) Which BODY+SOUL is planned:

- a) Model (1/4-round shower, corner entry, door in alcove, door with side screen)
- b) Height Shower enclosure 204,6cm
- c) Hinge (left/right)
- d) Glass type (genuine glass clear, satinised, partially satinised)

### b) What will the BODY+SOUL be mounted on:

- a) on a shower tray
- b) directly on the floor or on a shower tray flush with floor

### c) Floor plan measurements:

- Shower tray installation dimensions respectively measurements of the shower area when mounting on tiled floors (installation variation 1-4)
- For 1/4-round showers specify the radius
- For door in alcove specify the depth

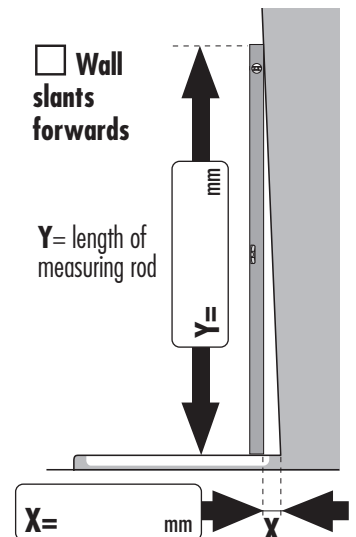
### d) Roof element measurements:

- For door in alcove additionally specify the dimensions of the roof element.

### e) Are the side screens straight (perpendicular)?

- If the walls are slanted, specify the exact deviation relative to a certain height (e.g. slants 7 mm to the rear or front, at a height of 200 cm)

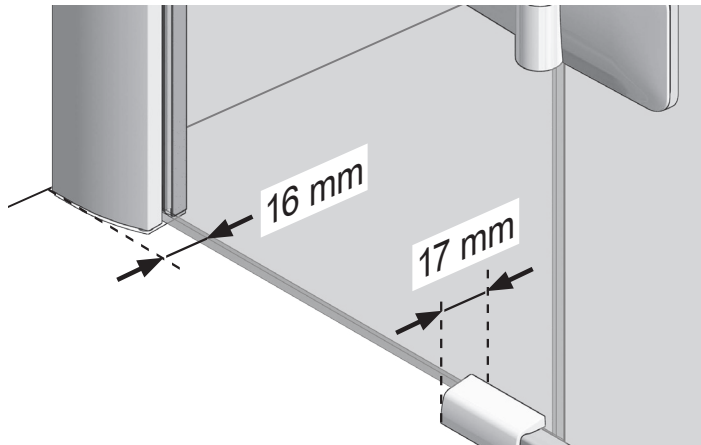
- **Note X/Y** dimensions in appropriate situation!  
If **no dimensions are given** shower will be manufactured for **completely vertical wall!**



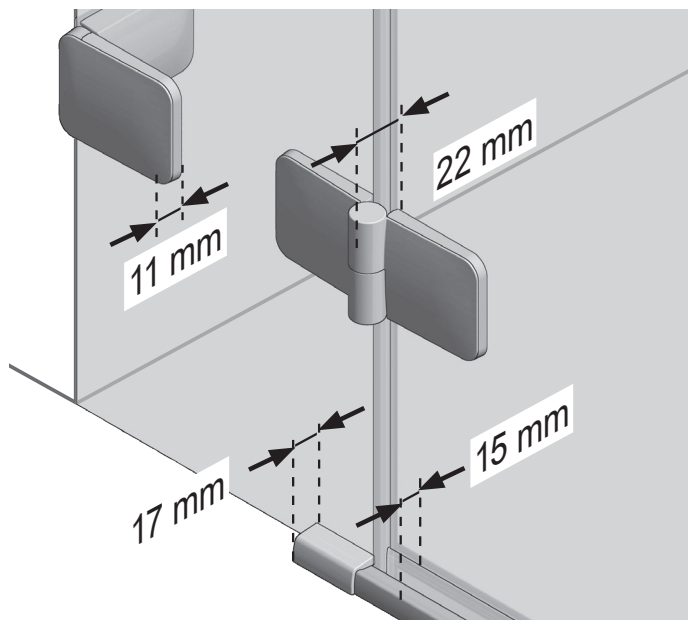
### f) Is the shower tray/floor horizontal?

- The BODY+SOUL can only be installed properly on horizontal shower trays/floors.
- If not, specify the deviation.  
We will determine whether the BODY+SOUL is suitable for the situation.
- Do NOT DEDUCT any dimensions!  
This will be done by us.

General notes on measurements for **models with wall moulding:**



General notes on measurements **for frameless models:**



Bei Fragen einfach die Artweger Aufmaß-Hotline anrufen:

für Österreich: 06132-205-25

für Deutschland: 0800-111 444 218

für Schweiz: 06175-19091