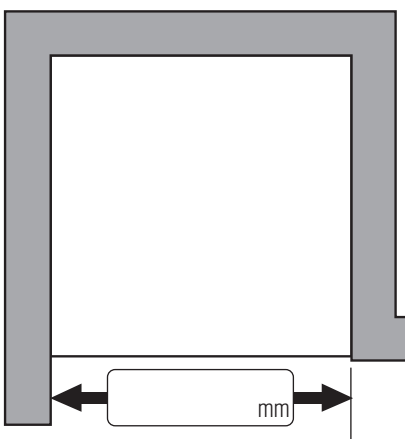
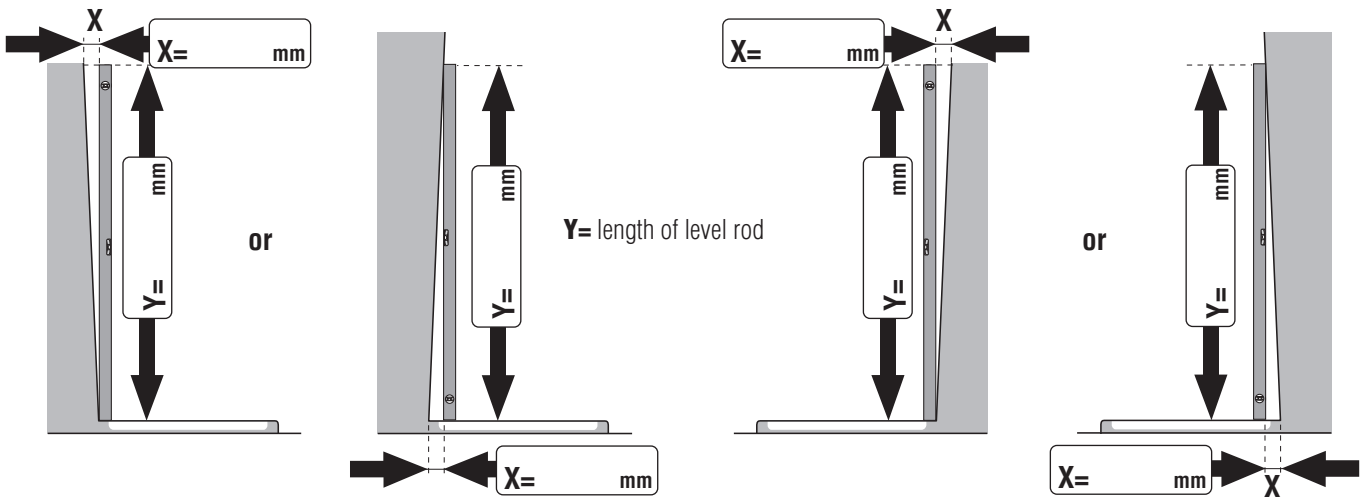
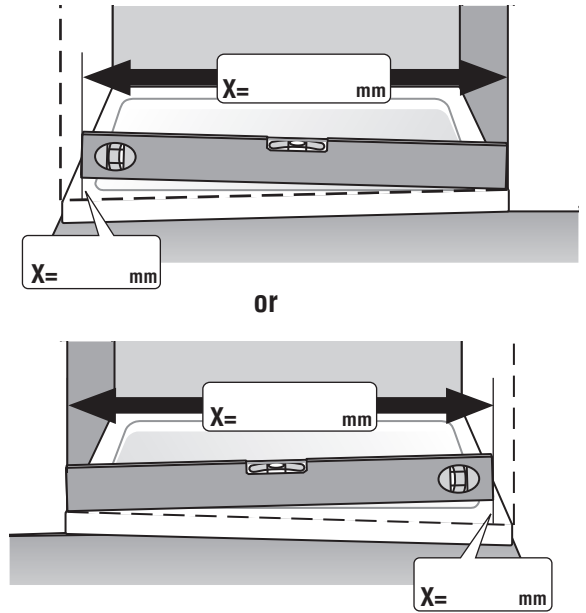
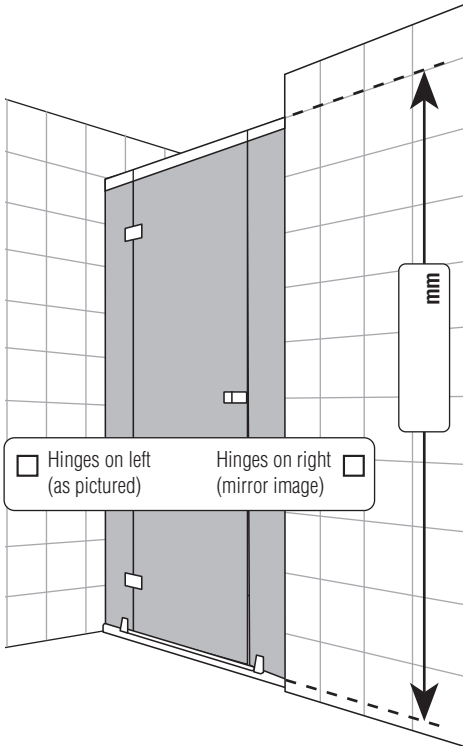


- Door in alcove** with wall screen parts/door 2046mm
- Door in alcove** without with wall screen parts/door 2040mm

- Gläser:**
- Genuine glass clear
 - Horizontal strip Satin
 - Extra charge: drilling in fine stoneware

- 1 fixed part
- 2 fixed parts

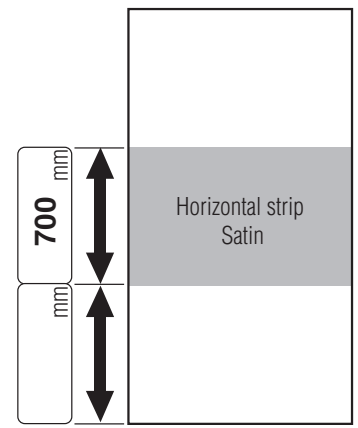


Exchange or return is not possible!

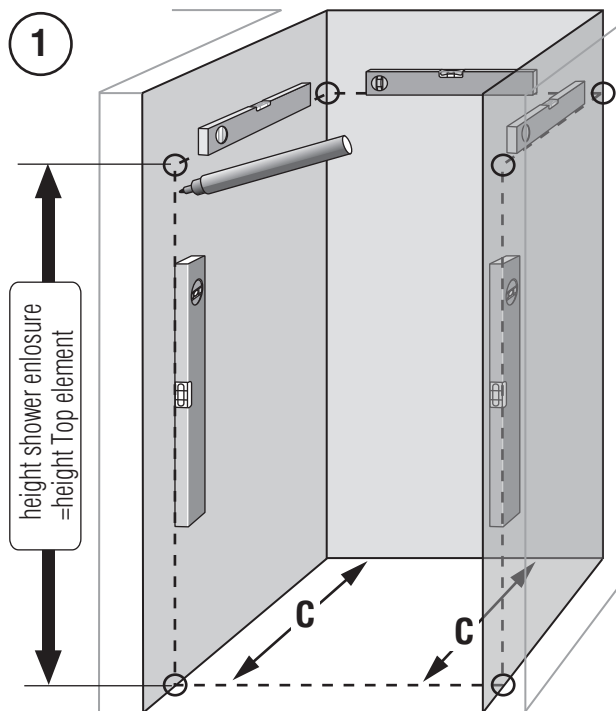
.....
Customer address/company stamp:

.....
End customer

.....
Measured and advised by
(Name, date, signature, telephone)

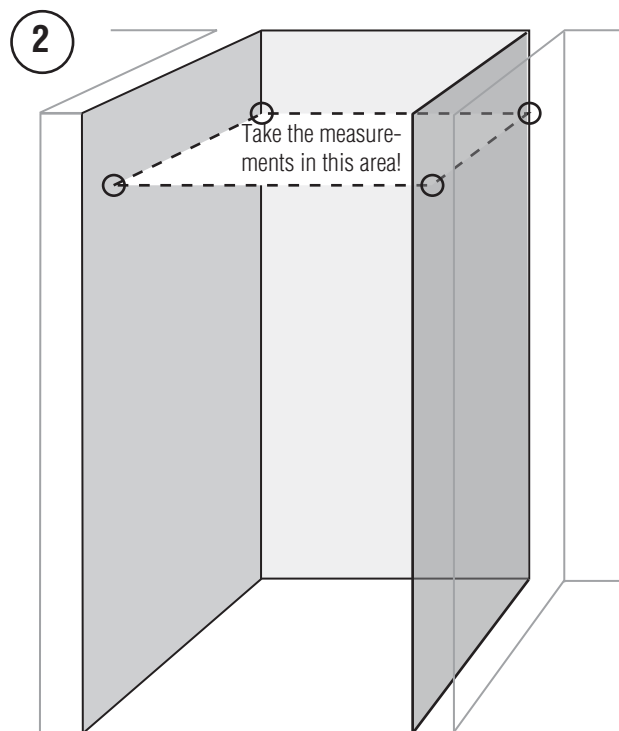


Top element for a door in a niche.



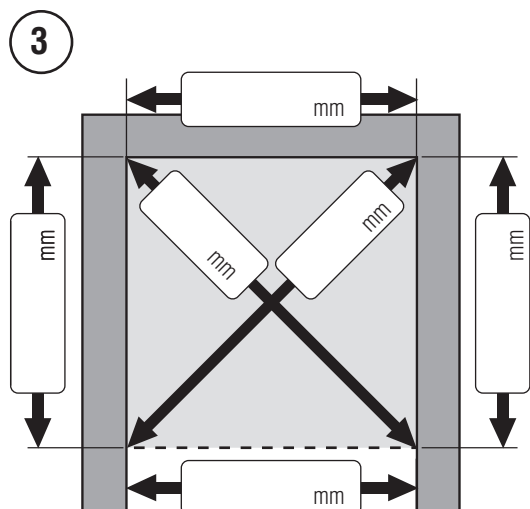
Transfer the dimension C of shower screen at the height of the top element and take measurements according to sketch 3.

To determine the outer edge of the glass please mind the general dimensioning instructions.



The measurements at "C" pertain to the outer edge of the glass!

- Assembly on tiled floor (dimension **C** to **outer edge of glass**)
- Assembly on shower tray (**tray installation dimension C**)



Exchange or return is not possible!

Customer address/company stamp:

End customer

Measured and advised by
(Name, date, signature, telephone)