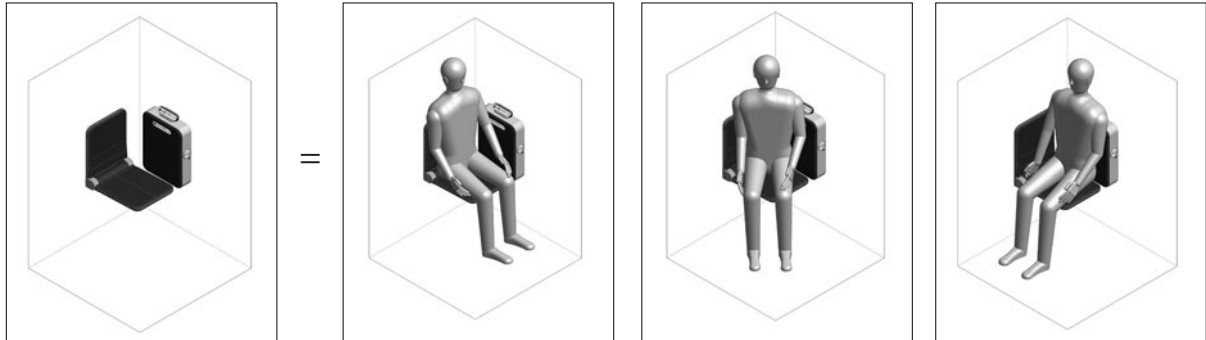


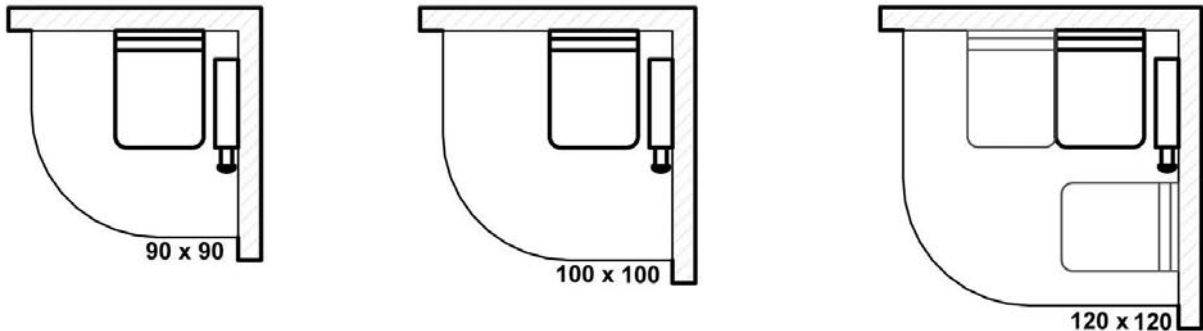
# DESIGN RECOMMENDATIONS for the situation “steam box on right”

The BODY+SOUL models leave no wishes unfulfilled. Whether as a 1/4-round shower, corner entry, door in alcove or door with side screen, you can find the right model for every situation - and a matching ensemble of seat(s) and steam box. We have put together some examples for you here (in combination with Artweger super-flat shower trays):

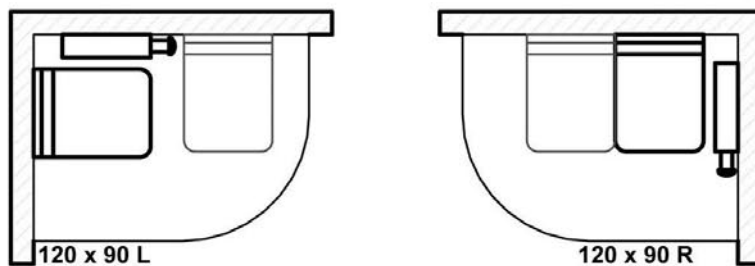
(For installation situations with “steam box on left” simply use a mirror image of the following sketches!)



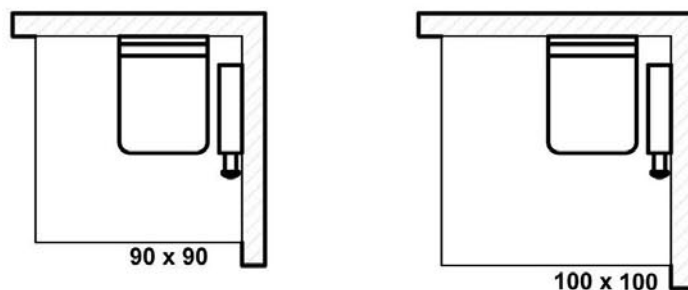
### Shower Trays SUSANNE



### Shower Trays SUSANNE



### Shower Trays SABINE



### Shower Trays SIMONE

