

# BODY+SOUL

ELEMENTS OF BALANCE



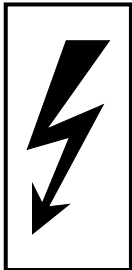
## **PRE-ASSEMBLY DOCUMENTS**



## Pre-assembly documents

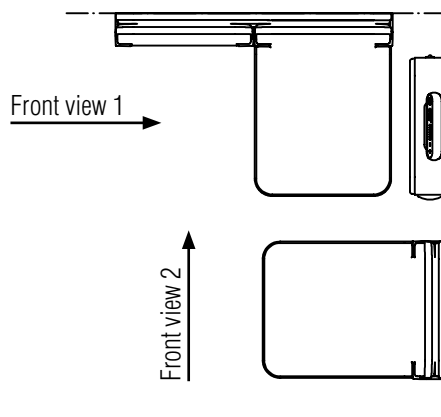
# ATTENTION!

- Take care to insulate the wall sufficiently including moisture barrier before installing the BODY + SOUL shower. Otherwise a comfortable operational temperature cannot be ensured. **Maximum room volume 2.6 m<sup>3</sup>.**
- Take care that the on-site preparations conform to ÖNORM B 2207 (standard for moisture sealing and tiling). (Seal the splash area and the entire floor area with liquid sealing foil!)
- Both walls onto which the BODY+SOUL are installed must be at exactly a 90-degree angle to each other!  
**Suitable fastening materials recommended by the manufacturers must be used for special walls (e.g. aerated concrete).**
- In compliance with the standard **EN 1717** a backflow preventer is to be installed before the steam box.



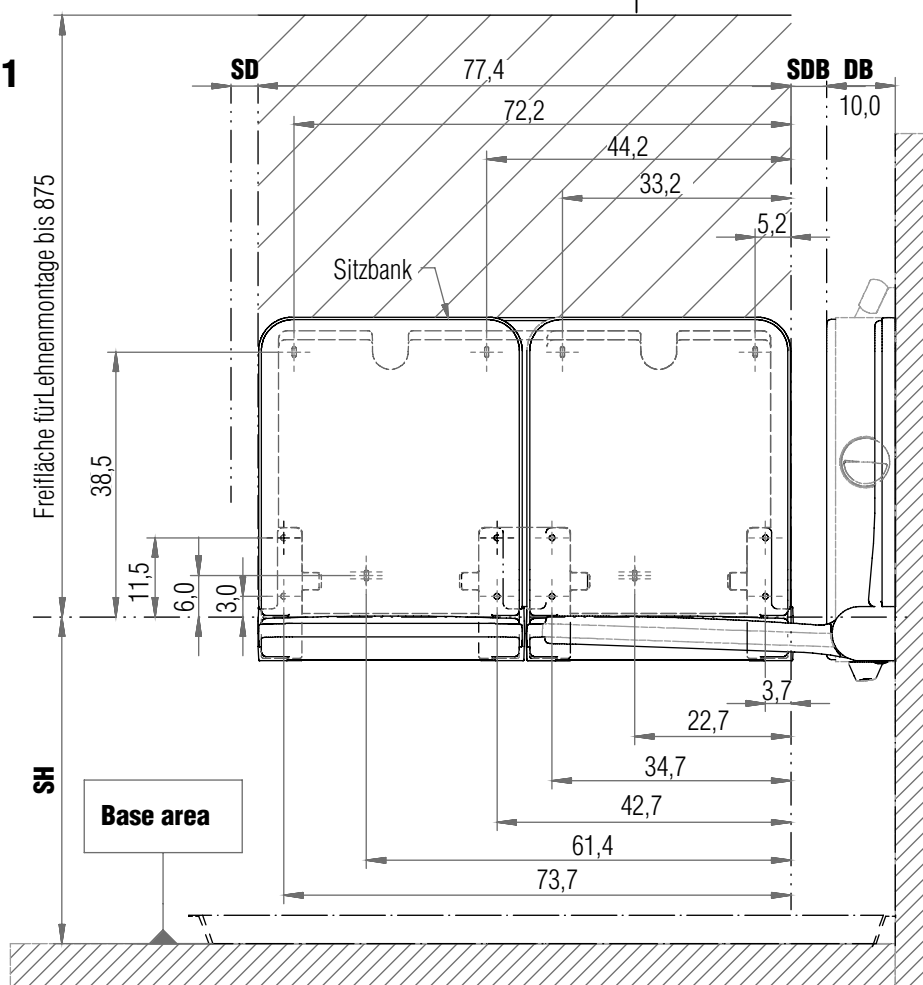
- The electrical installation may only be carried out by a certified specialist observing the statutory guidelines as well as the national installation regulations (EN OVE E8101 in Austria and DIN VDE 0100-701 in Germany) as most recently issued.
- Conduit for power supply (20 mm/0.8 in. diam. min., lay at least 5 cm/2 in. deep). Line must lead over bipolar switch, which is in at least safety zone 3! Empty tubes for external audio signal can be provided!
- Wiring over FI circuit breaker RCD I Δ n ≤30 mA. Power supply 230V / 50/60 Hz. Fuse: 16A. Wattage: 3.4 kW. Protective grounding must be constantly attached at the fixed installed line.

**Drilling Position BODY+SOUL STEAM BOX, SEAT FOR ONE AND BENCH**  
(NICHT ZUM VORBOHREN GEEIGNET!)



All measurements  
in cm!

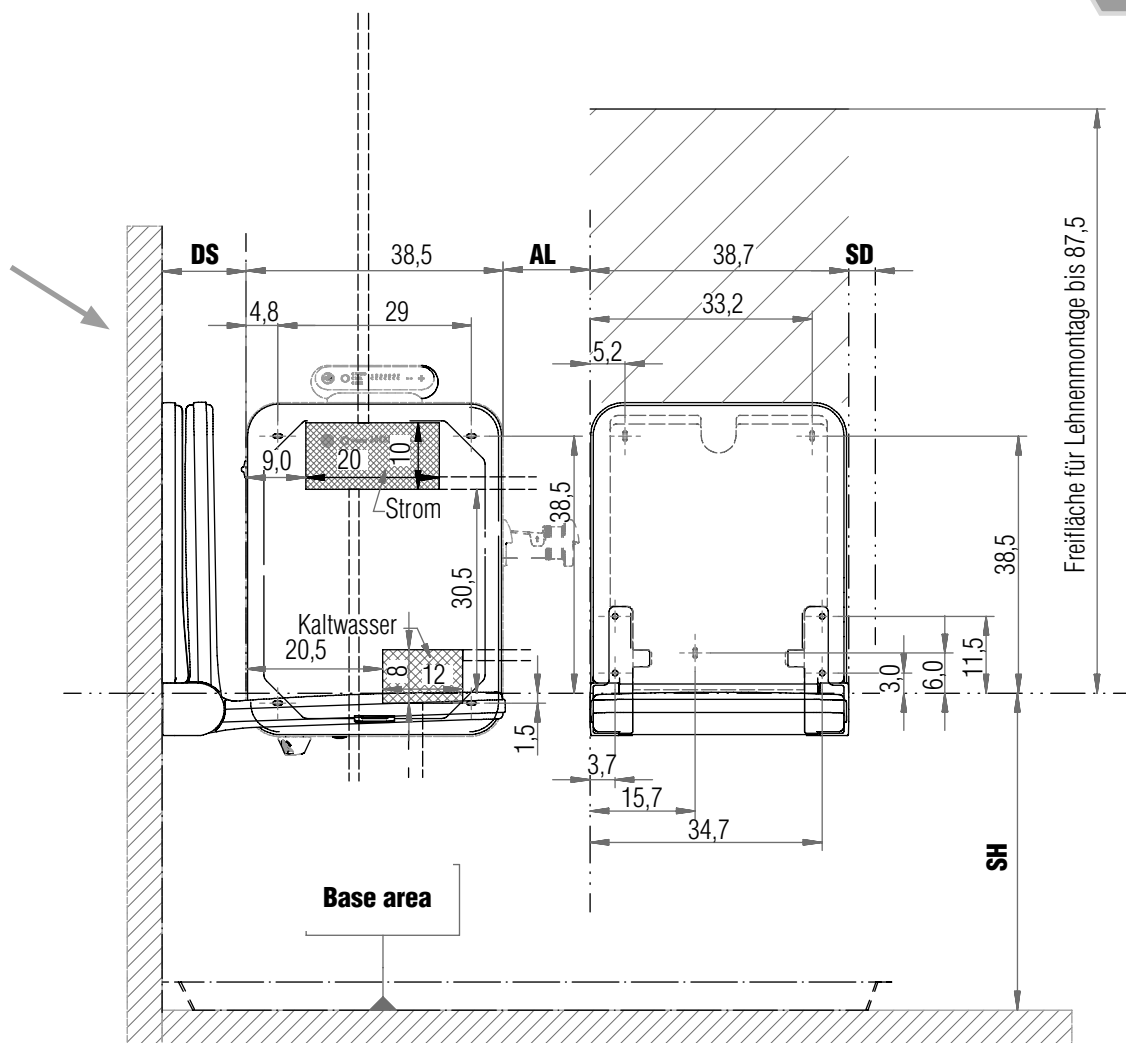
**FRONT VIEW 1**



Installation dimensions			
		Artweger recommendation	Individual mounting
<b>SH</b>	Seating height	47,5	-----
<b>DS</b>	Finished wall to steam box (sensor)	12,5	10,0
<b>DB</b>	Depth of steam box	10,0	-----
<b>AL</b>	Steam box aroma element to seat	13,0	10,5
<b>AL</b>	Steam box aroma element to shower or wall	24,0	20,0
<b>SDB</b>	Depth of seat to steam box	5,0	2,0
<b>SD</b>	Seat to shower interior or finished wall	4,0	2,0

**FRONT VIEW 2**

All measurements  
in cm!



Installation dimensions			
		Artweger recommendation	Individual mounting
<b>SH</b>	Seating height	47,5	----
<b>DS</b>	Finished wall to steam box (sensor)	12,5	10,0
<b>DB</b>	Depth of steam box	10,0	----
<b>AL</b>	Steam box aroma element to seat	13,0	10,5
<b>AL</b>	Steam box aroma element to shower or wall	24,0	20,0
<b>SDB</b>	Depth of seat to steam box	5,0	2,0
<b>SD</b>	Seat to shower interior or finished wall	4,0	2,0

## Recommended connection areas STEAM BOX LEFT

Mixed water for overhead showerhead DN 15 1/2"  
Power supply for audio & light - 230V 50/60 HZ - ca. 1m (Wattage ca. 60 W)  
Antenna for audio (Optional):  
AUX signal over 3.5 mm stereo jack  
MP4 signal over USB type A

All mea-  
surements  
in cm!

Option:  
For possible power connection (steam generator  
to audio and light) Connecting tube (diam. at least 20  
mm, depth at least 5 cm).

Power supply for steam generator  
230V 50/60 HZ  
ca. 1m (Wattage 3,4 kW)

Do not install any fix-  
tures or other protrud-  
ing parts in this area!

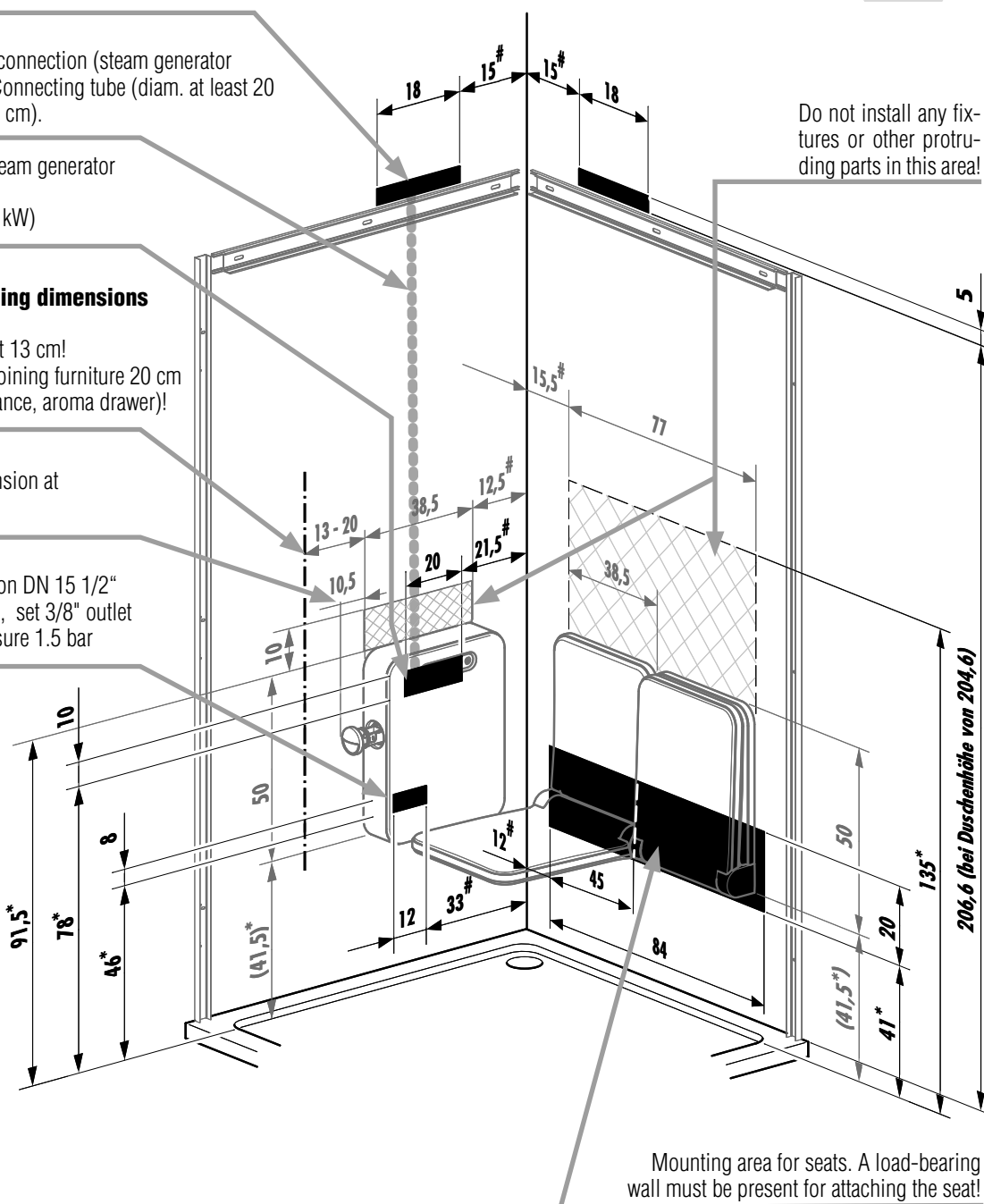
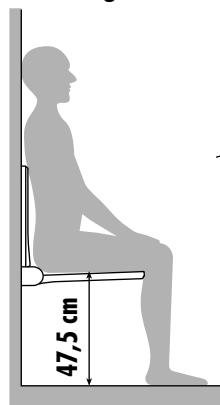
### Steam box mounting dimensions

Min. distance to seat 13 cm!  
Min. distance to adjoining furniture 20 cm  
(operation, maintenance, aroma drawer)!

Aroma drawer distension at  
least 10.5 cm!

Cold water connection DN 15 1/2"  
Corner control valve, set 3/8" outlet  
Minimum flow pressure 1.5 bar

**Load capacity**  
**130 kg.**

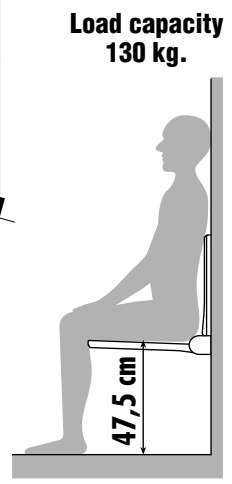
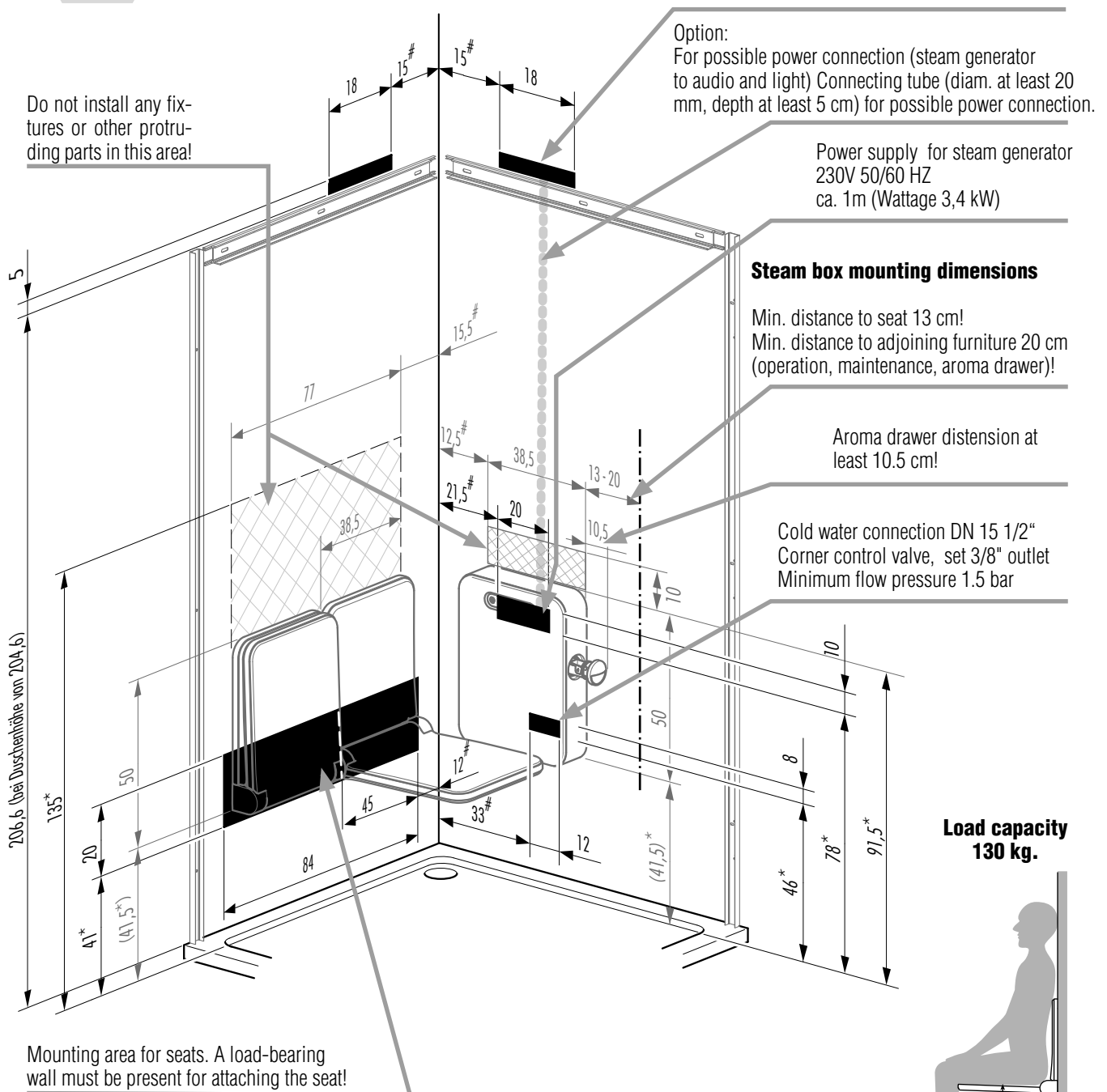


\* ... dimensions from standing surface with seat height **47.5 cm!**  
# ... recommended min. dimensions from finished wall

**Recommended connection areas STEAM BOX RIGHT**

All measurements in cm!

Mixed water for overhead showerhead DN 15 1/2"  
Power supply for audio & light - 230V 50/60 HZ - ca. 1m (Wattage ca. 60 W)  
Antenna for audio (Optional):  
AUX signal over 3.5 mm stereo jack  
MP4 signal over USB type A



\* ... dimensions from standing surface with seat height **47.5 cm!**  
# ... recommended min. dimensions from finished wall

# Artweger<sup>®</sup>

Die feine ART im Bad

## **AUSTRIA**

Artweger GmbH. & Co. KG

Sulzbacherstraße 60 | A-4820 Bad Ischl  
Tel. +43 6132 205-0 | Fax +43 6132 205-5003  
info@artweger.com | www.artweger.com

**www.artweger.com**