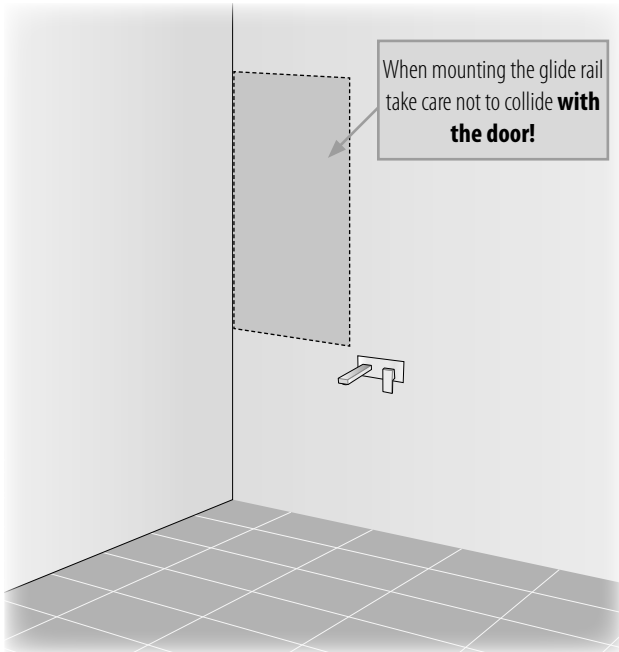
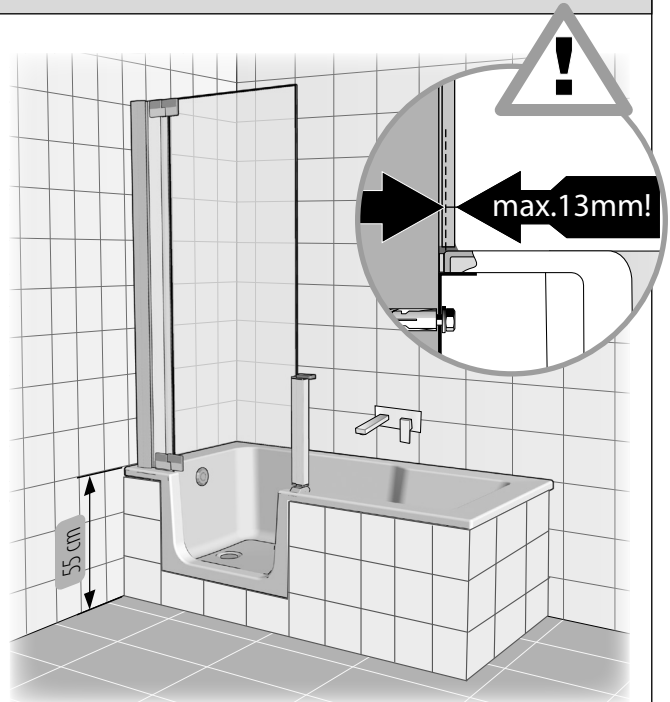


# PRE-INSTALLATION - INFORMATION

## INSTALLATION - on completed floor

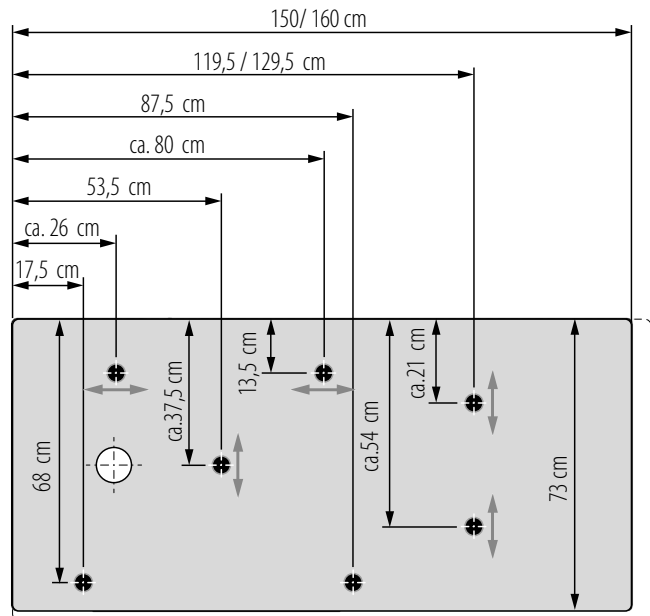
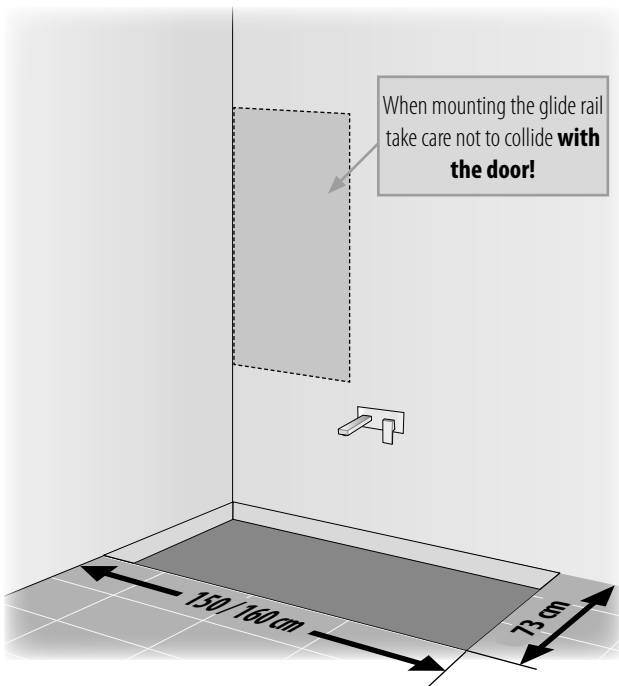


When installing the shower door on the already tiled wall a 1.2 cm compound bracket is required. Do not tile tub before installation!



The tub may tiled over at a **maximum of 13 mm!**  
The area under the tub must also be completely tiled!  
However, the walls must not be tiled.

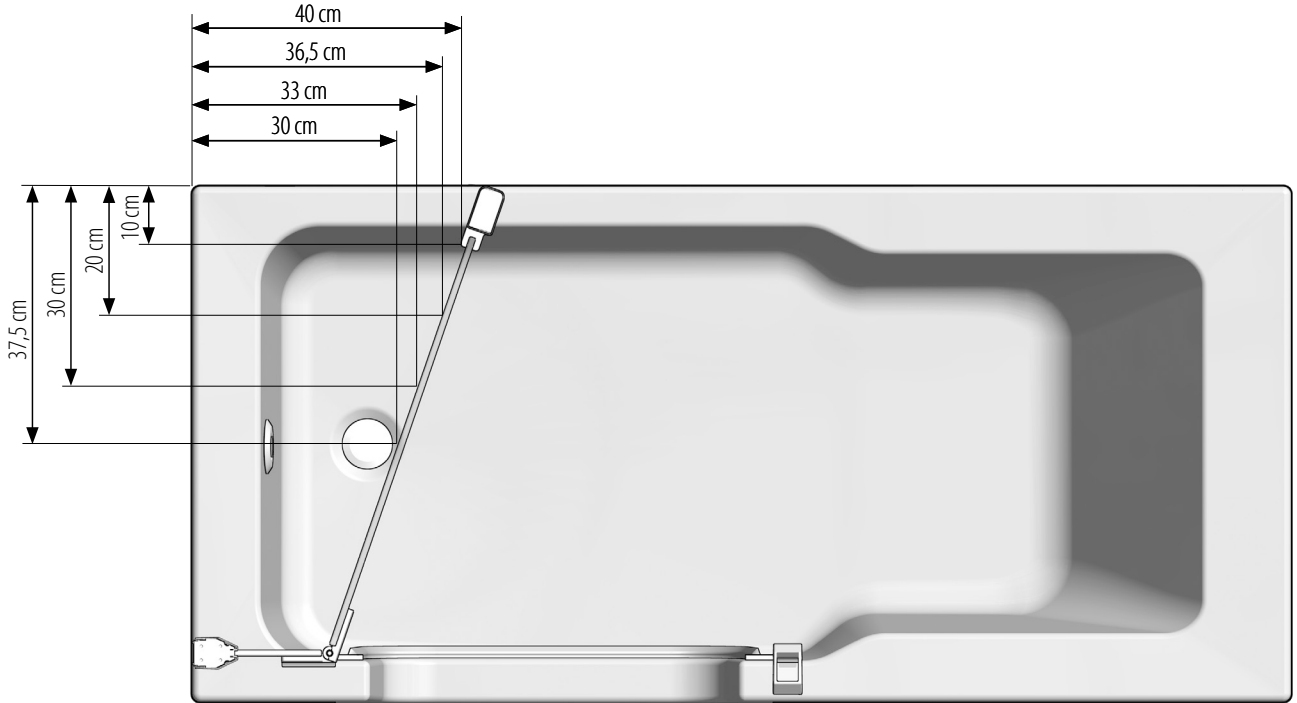
## INSTALLATION - on raw concrete (casing dimensions)



**IMPORTANT! The dimensions of the casing must be observed exactly!** The tub can be set **exactly 14 cm lower!**

# PRE-INSTALLATION - INFORMATION

## GLIDE RAIL/HAND SHOWERHEAD - installation area



## ODOUR-TRAP - installation area

Total shower height	<b>205</b>
Room height required	<b>+4,0</b>
Entry height	<b>19,5</b>
Drain	<b>Ø 50 mm</b>

